

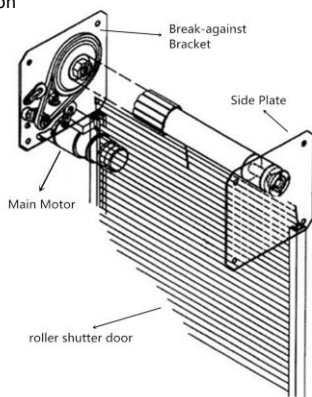


- Suitable for Shutter weighing 600kg.
- Mechanical & Electrical integration: Quick Assembly & Easy Maintenance.
- Moulding Production: High Precision, fast efficiency & guaranteed quality.
- Worm-gear secondary variable speed transmission: Motor wheel design, Shutter opening manually when power failure, large torque, Low Noise.
- Motor Design: Low Consumption, High Efficiency, Low Noise during Motor running.
- Four relay system for stable operation limit Position when Power on without debugging, always detecting motor speed, and running at constant speed.
- Limit switch unit enables precise adjustment of door in both up and down positions.
- Operated by manual when power off.
- Overheat protection. The unwinding group of the motor with overheat protects equipment. When the temperature rises to 140°C, it will cut off the power supply automatically to protect the motor. When the temperatures reduce to 70°C, it can be used again.
- Easy installation, elegant design, low noise, small energy consumption



Motor are Made out of High-Quality Raw Material available in market with Leading Suppliers like Yieh Corp. All Motor Have Copper Winding as per international standard. Motors are suitable for Residential as well as Industrial Shutters measuring 15m².

Model	BA600-1P	QL600-1P	QL600-3P
Power Supply	220V	220V	380V
Rated Frequency	50 Hz	50 Hz	50Hz
Motor Power	370	370	250
Rated Output Torque	412N.m	412N.m	412N.m
Rated Current (A)	3.9	3.9	1.1
Roller Diameter	127mm	127mm	127mm
Max lifting Height	6m	6m	6m
Ambient Temperature Range	-20°C ~ +50°C	-20°C ~ +50°C	-20°C ~ +50°C
Output Speed	5.3(r/min)	5.3(r/min)	5.3(r/min)
Rated Working Time	7min	7min	7min
IP Protection	30	30	30
Chain type	10A	10A	10A
Motor Weight	12.8kg	12.8kg	12.8Kg



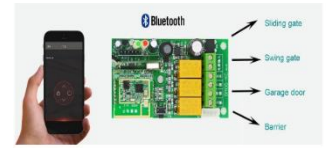
Optional Support Accessories



SAFETY SENSOR



FLASH LAMP



BLUETOOTH MOBILE APP

Gear



Heat Treatment only for the tip part retardant



Heat Treatment from tooth tip to tooth root

Bracket



Winding



- No barriers between the windings.
- Thermal Protection temperature above 140° C
- Life service 2000 times.



- Interlayer between start winding & end winding.
- Thermal protector protects at 120°C & has service life of 3000 working times.